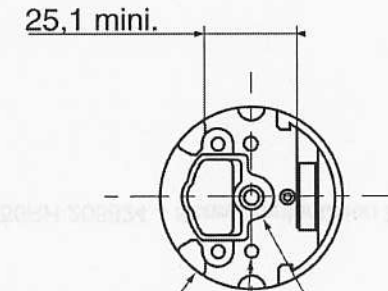
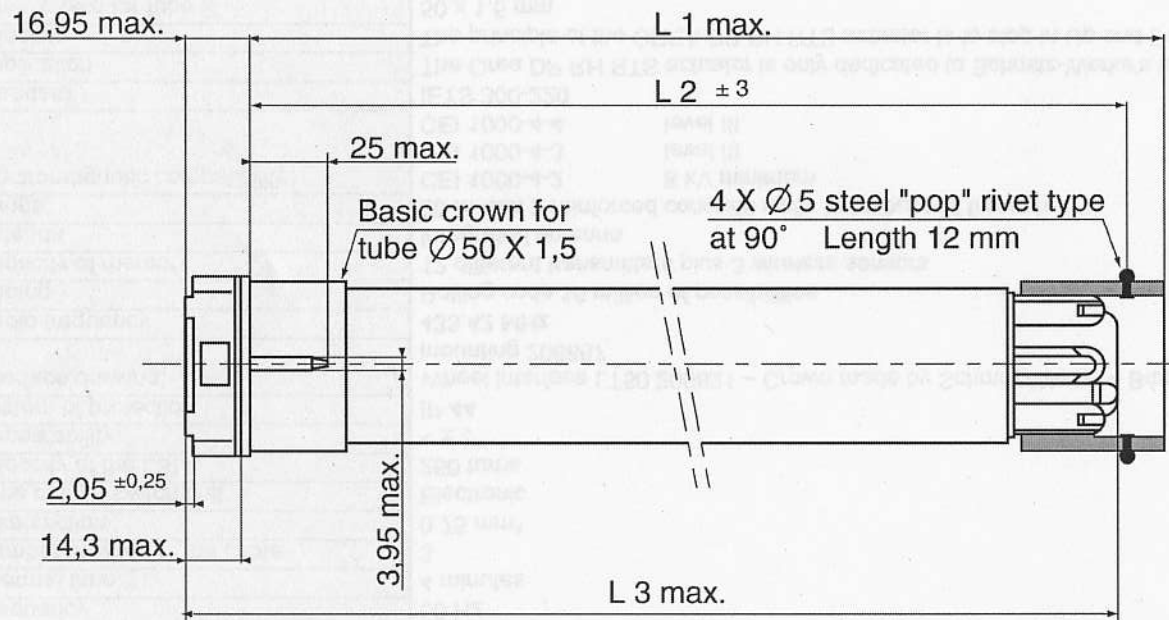
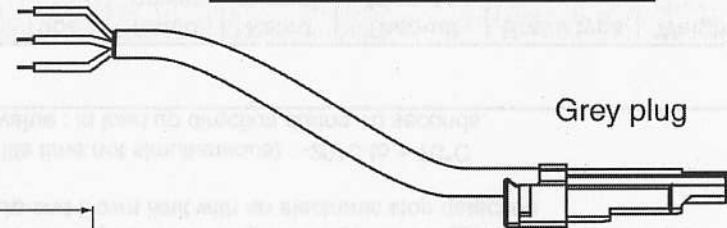


Type of head	Round Head
Nominal voltage	230 V AC
Power supply tolerances	207 - 244 V AC
Frequency	50 Hz
Thermal time	4 minutes
Number of wires of the cable	3
Wire section	0.75 mm ²
Type of limit switch unit	Electronic
Capacity of the LSU	250 turns
Repeatability	< ± 3°
System of protection	IP 44
Interface drawing	Wheel interface LT50 206821 – Crown made by Schmitz-Werke – Bracket interface LT50RH 206824 – Screw implantation for LT50RH mounting 206867
Radio frequency	433.42 MHz
Coding	Rolling code 16 million of possibilities
Capacity of memory	12 different transmitters plus 3 wireless sensors
Antenna	Integrated antenna
Range	20 m with 2 reinforced concrete walls to be passed through
Electromagnetic compatibility	CEI 1000-4-2 8 kV minimum CEI 1000-4-3 level III CEI 1000-4-4 level III
Standard	IETS 300-220
Application	The Orea DP RH RTS actuator is only dedicated to Schmitz-Werke's specific winter garden application (german manufacturer)
Principle	The principle of the OREA DP RH RTS actuator is to stop in Up and Down limit with an electronic stop detection
Basic crown for tube Ø	50 x 1.5 mm
Temperature working range	Normal use : -10°C to +40°C Exceptional use (20% of the life time not simultaneous) : -20°C to + 70°C
Noise level	According to SOMFY measures (for information only).Worse value : in load up direction during 10 seconds.

Designation	Nominal torque (Nm)	Nominal speed (rpm)	Reference	L1 (mm)	L2 (mm)	L3 (mm)	Tube (mm)	Rated power (W)	Rated current (A)	Thermal tripping (°C)	Brake type	Weight (kg)	Noise (dBA)
OREA 50 DP RH RTS 15/32	15	32	5009464	675	660	683	610	240	1.1	150	sliding	2.75	56
OREA 50 DP RH RTS 25/17	25	17	5011453	655	640	663	590	170	0.8	150	sliding	2.75	56

WIRING	Neutral	Blue
	Live	Brown
	Earth	Green / Yellow



Ø49,6 maxi.

2 holes for self-cutting screw Ø4 with entre-axe 29 mm± 0,15

Hole Ø12 mini. and depth 19,5 mini.

Visa :	DT <i>E. GRUE</i>	Quality <i>[Signature]</i>	Marketing <i>[Signature]</i>	<i>Noir Céline</i>
--------	-------------------	----------------------------	------------------------------	--------------------