



24/10/2006

LT 60 CSI TECHNICAL DATA

**DMKI - FPTE
RANGE 1
LT60CSIRange1R2**

Nominal voltage	230 V - 50 Hz
Power supply tolerances	207 - 244V
Thermal time	4 minutes
Number of wires of the cable	4
Wire section	0,75 mm ²
Type of limit switch unit	Quick limit switch
Capacity of the LSU	34 turns
Repeatability	± 5°
System of protection	IP 44
Interface drawings	Wheel interface LT60 206801-Crown interface LT60, LT60ADF, FTS60 & LT60CSI 206802-CSI head interface drawing 206831 (no contractual)-CSI head interface drawing 206832 (contractual)-Interface drawing CSI buttons 206844.
Basic crown for tube Ø	63 x 1,5 mm
CSI gear ratio	1/55 (except the Orion 40/17 : 1/27)
Crank operation effort	7% of the motor's nominal torque (except the Orion 40/17 : 10% of the motor's nominal torque)
Temperature working range	Normal use : -10°C to +40°C Exceptionnal use (20% of the life time not continuous) : -25°C to + 70°C
Noise level	According to SOMFY measures (for information only).Worse value : in load up direction during 10 seconds.

Designation	Nm	rpm	referenc e	mm	mm	mm	mm	W	A	°C	Brake type	kg	dBa
	Nominal torque	Nomina l speed		L1 max.	L2/L2' (± 3 mm)	L3 max.	tube	Rated power	Rated curren	Thermal tripping		Weight	Noise
Orion S CSI	55	17	200951	646	630/627	655	595	290	1,25	130	sliding	4,91	64
Vega CSI	60	12	200952	646	630/627	655	595	240	1,05	140	sliding	4,67	65
Antares CSI	70	17	200954	681	665/662	690	630	350	1,5	130	sliding	5,31	66
Sirius CSI	80	12	200955	646	630/627	655	595	290	1,25	130	sliding	4,93	65
Jupiter CSI	85	17	200956	681	665/662	690	630	400	1,8	140*	sliding	5,52	65
Titan CSI	100	12	200958	681	665/662	690	630	350	1,5	130	sliding	5,4	65
Taurus	120	12	200959	681	665/662	690	630	400	1,8	140*	sliding	5,56	65

* Non resetable thermal protector



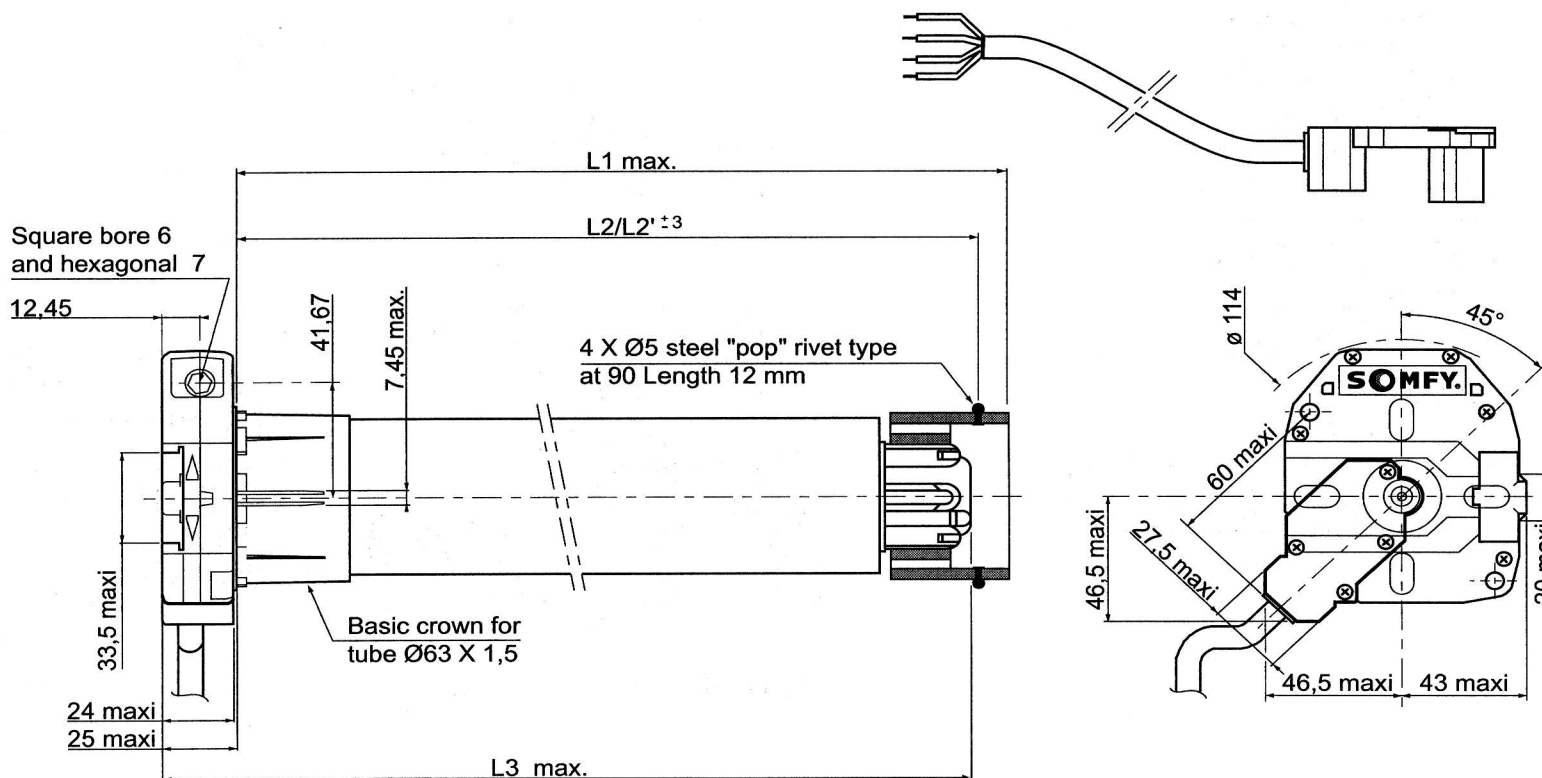
24/10/2006

LT 60 CSI TECHNICAL DATA

RANGE 1

N.B : L2' = drilling length with the basic crown 208207 only
 L2 = drilling length with an adaptation crown (in addition to the basic crown 208207)

WIRING	Neutral	Blue
	White button	Brown
	Yellow button	Black
	Earth	Green / Yellow



Visa :	DT <i>Y. DESBRES</i>	Quality <i>O. TRINQUET</i>	Mkg <i>J. REICHINGER</i>
--------	----------------------	----------------------------	--------------------------