

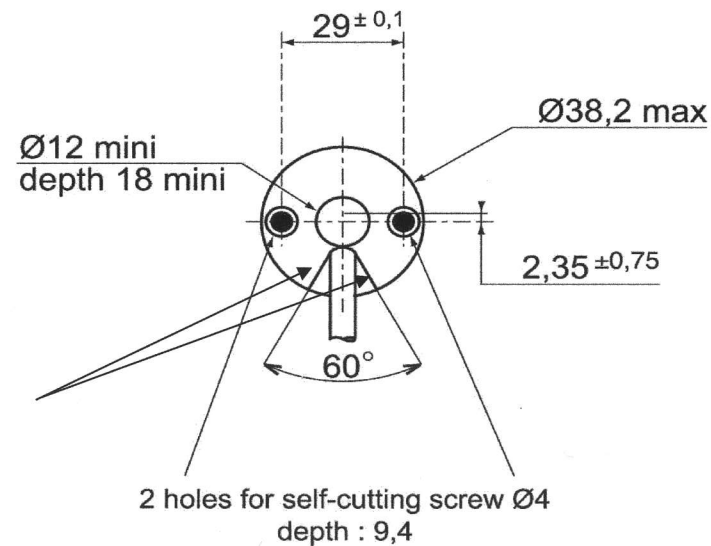
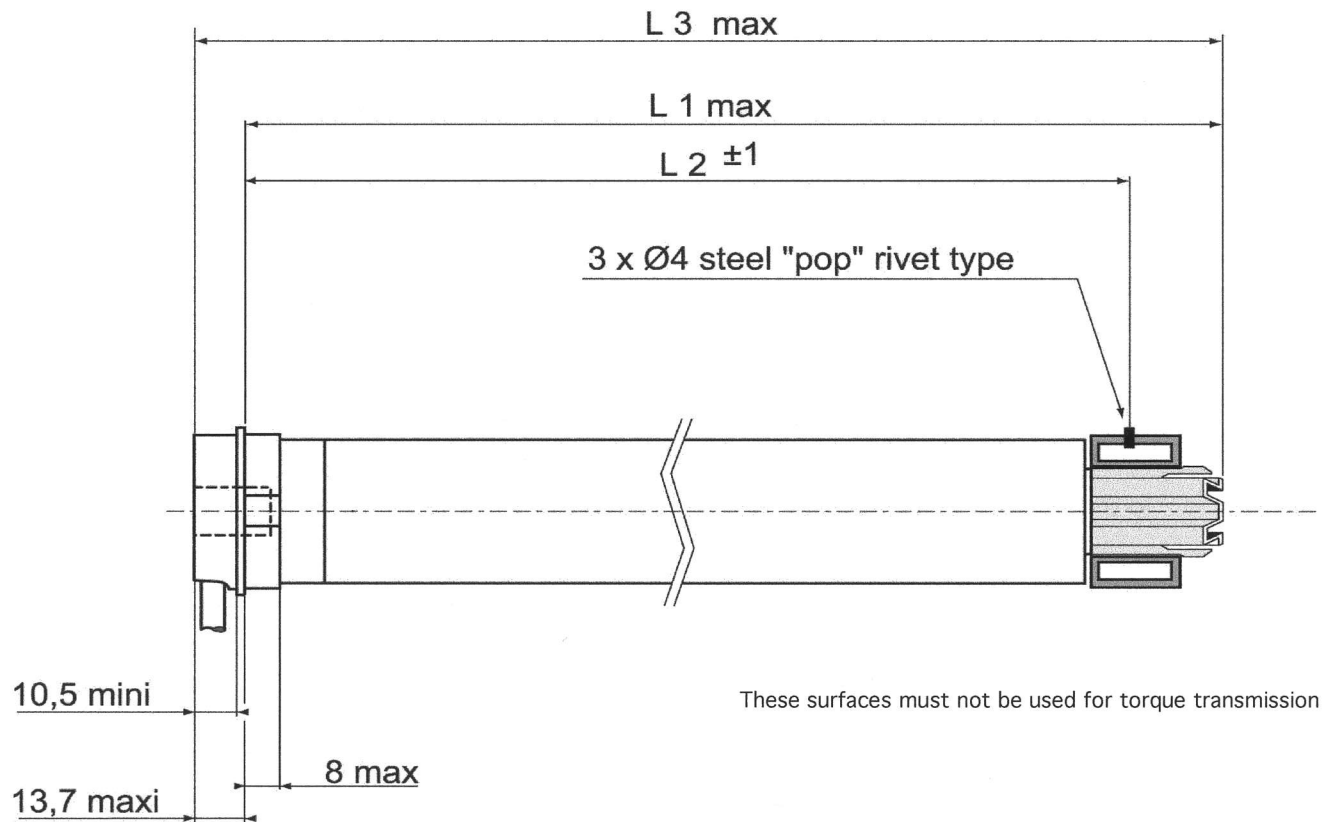
Nominal voltage	230 V - 50 Hz
Power supply tolerances	207 - 253V
Thermal time	4 minutes in accordance with EN 60335-2-97
Number of wires of the cable	2
Insulation class	II
Wire section	0,75 mm ²
Type of limit switch unit	Electronic
Capacity of the LSU	Limited to 3 minutes of rotation without stop
Repeatability	± 4°
System of protection	IP 44
Interface drawings	Ø 40 motor range mounting screw implantation 147897 - Ø 40 motor range wheel interface 147887 - Ø 40 motor range crown interface 147888 - Ø 40 motor range head interface drawing 147465.
Radio Frequency	433,42 Mhz
Coding	Rolling code 16 million of possibilities
Capacity of memory	12 different codes plus 3 wireless sensors
Range	20 m with 2 reinforced concrete walls to be passed through
RE TTE (Radio Equipment and telecommunications Terminal Equipment Directive)	Dir 1999/5/CE
Safety Security	EN 60335-2-97
Electromagnetic compatibility	EN 301489-3
Radio	EN 300-220 -3
Wheel unclipping force	~7 kg
Basic crown for tube Ø	40 x 1,5 mm
Temperature working range	Normal use : -10°C to +40°C Exceptional use (20% of the life time not continuous) : -20°C to + 70°C
Noise level	According to SOMFY measures (for information only).Worse value : in load up direction during 10 seconds.

Designation	Nm	rpm	mm	mm	mm	mm	W	A	°C	kg	dBA	
	Nominal torque	Nominal speed	L1 max.	L2 (±3 mm)	L3 max.	tube	Rated power	Rated current	Thermal tripping	Brake type	Weight	Noise
ALTUS 40 RTS 3/30	3	30	497	473	510	438	80	0,4	140	sliding	1,08	52
ALTUS 40 RTS 4/14	4	14	457	433	470	398	65	0,35	140	sliding	1,01	52
ALTUS 40 RTS 9/14	9	14	497	473	510	438	100	0,5	140	sliding	1,18	54
ALTUS 40 RTS 13/8	13	8	497	473	510	438	95	0,5	140	sliding	1,21	54

C. Decroix
Bryere

CHAUVIGNAT
NIESCH
COLLET

WIRING	Neutral	Blue
	Live	Brown



Visa : **M. BRUYERE** *[Signature]*

DT **C. Decoix** *[Signature]*

Quality **COLET** *[Signature]*

Mkg **CHAUVAGNAT** *[Signature]*
NIESCH *[Signature]*